

## Thank you for purchasing FOUNDATION® Modular Platform(s)

You've made a great choice. FOUNDATION® platforms are designed to be easily assembled on-site. Just follow these step-by-step instructions.



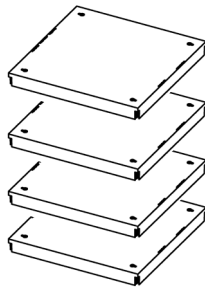
**FOUNDATION**  
by WEARWELL

Before you start, review all of the instructions. Choose where you want to build your platform. Ensure the area is clean and free of debris then determine how you want to orient your platform.

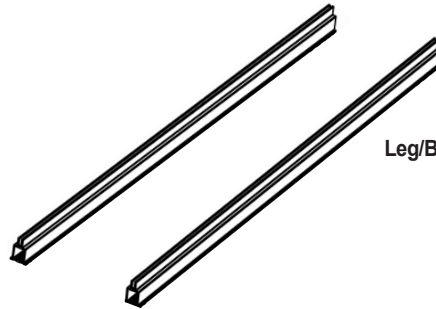
If there is a wall or fixed object the platform will be adjacent to, it is recommended that you start there to prevent problems later in the installation process.

### WHAT YOU'LL NEED

### FOUNDATION PLATFORM 4" (10 cm)



Tiles x 4



Leg/Beam Assembly x 2

### PREPARATION

### CLEANING, TOOLS & EQUIPMENT



#### PREPARE THE FLOOR

- FOUNDATION is designed for interior use.
- We recommend you sweep the surface of dust and debris before beginning.

#### REQUIRED TOOLS & EQUIPMENT

- Rubber mallet
- Safety gloves
- Power drill and 3/16" (5 mm) concrete bit (If securing to floor)

#### REQUIRED

For safety and stability, parts are designed to fit tight. We suggest a mallet to tap parts into place and gloves are always good practice when handling metal parts.

**SEE THE  
INSTALLATION VIDEO**



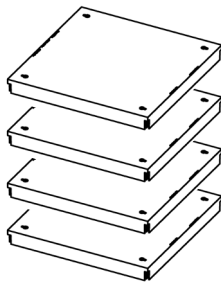
**TO LEARN MORE**

**VISIT US AT WEARWELL.COM/FOUNDATION**

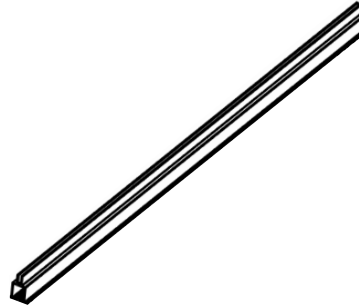
### STEP 1 LAY OUT THE PLATFORM

#### EXTENDING THE PLATFORM WIDTH

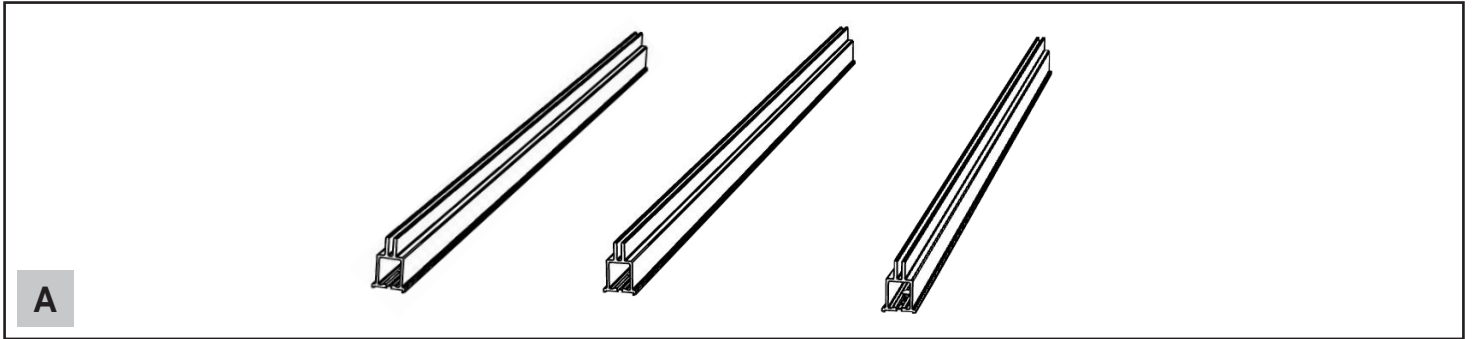
##### YOU WILL NEED



Tiles x 4



Leg/Beam x 1

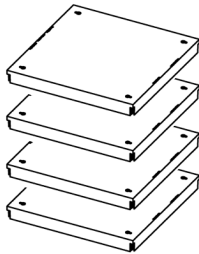


A

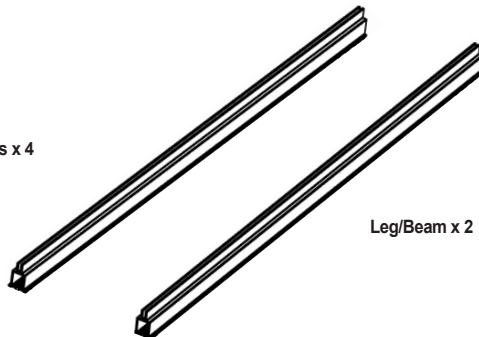
Align leg/beams roughly 18" apart.

#### EXTENDING THE PLATFORM LENGTH

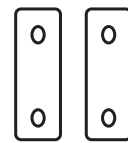
##### YOU WILL NEED



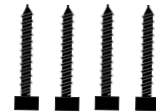
Tiles x 4



Leg/Beam x 2



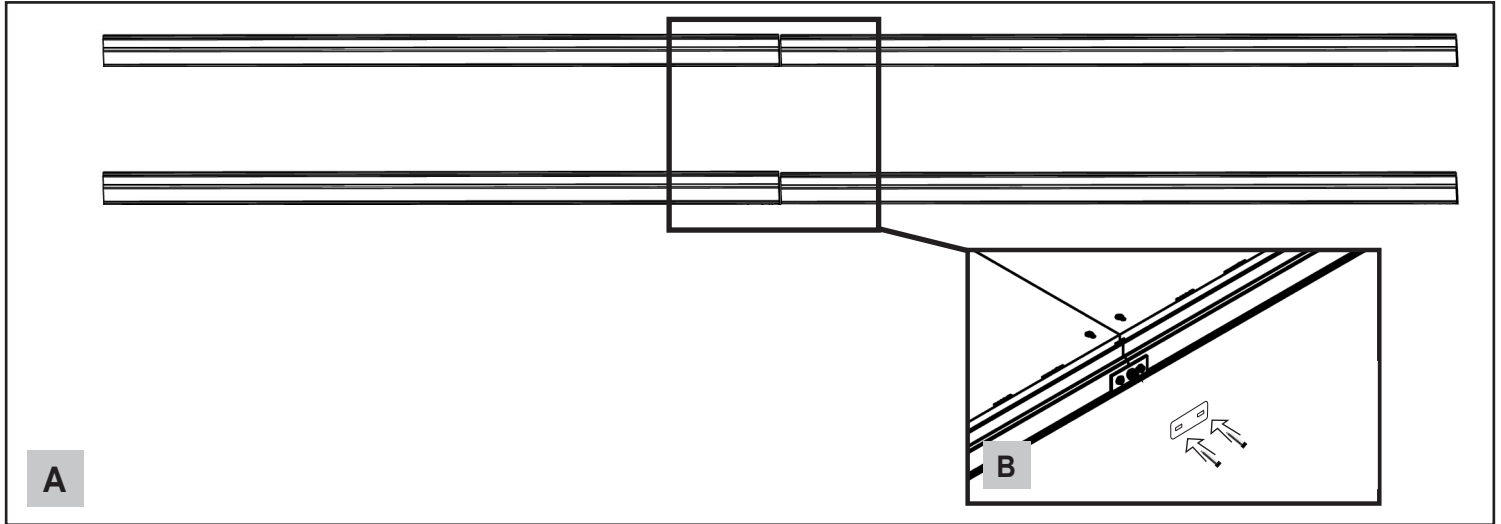
Connector Plate x2



Self Tapping Screw x4

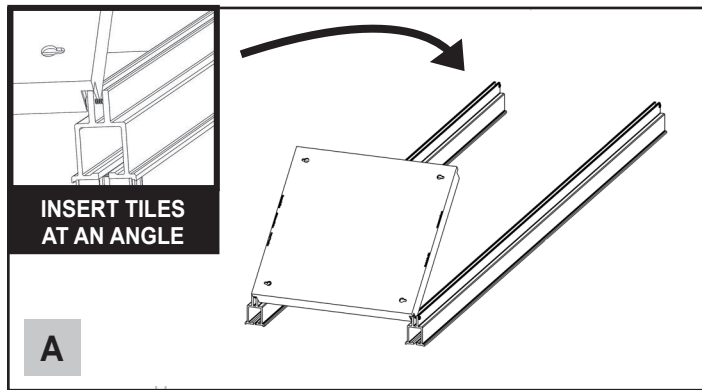
TO LEARN MORE

VISIT US AT [WEARWELL.COM/FOUNDATION](http://WEARWELL.COM/FOUNDATION)

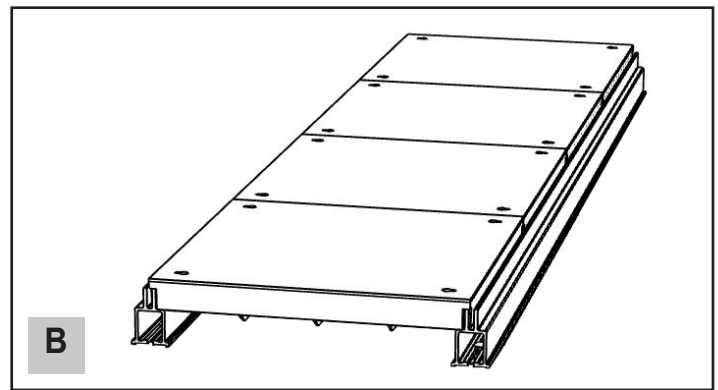


Lay out leg/beams end to end and using a power screwdriver, insert the self-tapping screws through the connector plate on each set of beams and secure.

### STEP 2 INSTALL THE TILES



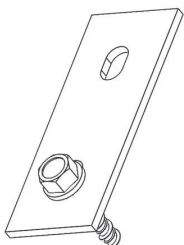
Install the first tile at a 90° angle pressing it against the lock screw.



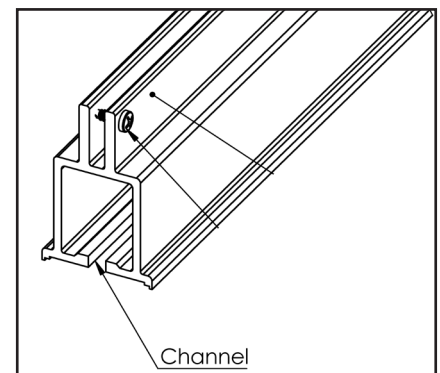
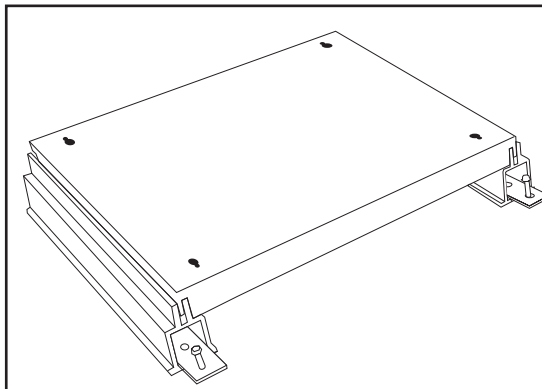
Continue with each tile, tapping each with a rubber mallet so that it fits tightly against the previous. Repeat for additional platforms.

### STEP 3 OPTIONAL - ANCHOR THE PLATFORM

#### YOU WILL NEED



F1 Beam Anchor Kit



Place the plate into the beam with approximately 1.5" (4 cm) sticking out. Make a mark on the floor that aligns with the hole in the plate. Remove plate and with the 3/16" (5 mm) concrete drill bit drill a hole to a depth of 2" (5 cm), making sure to keep the bit perpendicular to the floor. Vacuum or sweep the debris and replace the plate before screwing the anchor into the hole. Do not overtighten.

**TO LEARN MORE VISIT US AT WEARWELL.COM/FOUNDATION**

## **FOUNDATION by Wearwell®**

**WARRANTY DETAILS** The materials and workmanship used in the construction of the Wearwell® products above are backed by a 1 year warranty under normal conditions and use for which it is intended, but only if it has been properly installed and used. If the purchaser discovers a defect in the materials or workmanship of one or more of the components, Wearwell, Inc. will, at its own discretion, either: i.) repair the nonconforming product, ii.) replace the product with the same or substantially similar product, or iii.) reimburse the buyer for the purchase price of the nonconforming product based on the expected useful life of the product. Wearwell reserves the right to inspect the non-conforming mat(s) before repairing, replacing or reimbursing the buyer. Therefore, at the preference of Wearwell, Inc., the parts must be returned or available for on-site inspection. Modifying or installing the product may void the warranty. The decision to void this warranty will be made at the sole discretion of Wearwell. To the maximum extent permitted by law, Wearwell's liability shall not exceed the purchase price of the product; Wearwell shall not be liable for any incidental, consequential, special, and indirect or punitive damages (including without limitation, damages from lost business, profits or goodwill).

**EXCLUSIONS** Does not apply to custom made parts or damage as the result of freight, inappropriate use, tampering, improper installation, loss or normal wear and tear

### **CAUTION: MISUSE CAN LEAD TO ELECTRICAL SHOCK AND INJURY**

- Use only on a stable level surface. Inclined surfaces, slippery surfaces and broken/uneven ground can cause injury or damage to the parts.
- Follow all instructions when setting up Foundation.
- Avoid concentrated loads. Load-supporting capacity varies by type of loading conditions. Differences in wheel diameter and width will affect capacity. Limit Concentrated loads to less than 50psi on the F02 and 75psi on the F01 and F03.

Environmental conditions also affect capacity. The recommended temperature range is 30-160F.

- Keep the Foundation surface clean to reduce the likelihood of slips and falls.
- **It is the customer's responsibility to determine if securing or rubber feet are necessary to keep platform from sliding**
- Plastics can be attacked by some chemicals. Always test for chemical compatibility before using and follow maintenance instructions.

### **MAINTENANCE**

- Store in a clean dry area.
- Inspect parts and replace if damaged. Remove any foreign materials and clean out any liquids. Keep clean with a detergent and water solution.

---

#### **NORTH AMERICA**

Wearwell, LLC. (Headquarters)  
Phone: 615.254.8381 or 800.264.3030  
info@wearwell.com  
www.wearwell.com

**MEXICO**  
www.wearwell.com/mx  
**CANADA**  
www.wearwell.com/ca

---

#### **UK & IRELAND**

Wearwell Europe LTD  
Phone: +44 1525 307271  
info@wearwell-europe.co.uk  
www.wearwell.com/uk

**FRANCE**  
www.wearwell.com/fr

---

#### **EUROPE**

Wearwell Europe LTD  
europe@wearwell.eu  
www.wearwell.com/uk  
**GERMANY**  
www.wearwell.com/de

## WARRANTY DETAILS

The materials and workmanship of Foundation is backed by a 1-year warranty under normal indoor conditions. It is not recommended for outdoor use. If the purchaser discovers a defect in the materials or workmanship of a Foundation part, Wearwell, LLC. will, at its own discretion, either:

- i.) repair the nonconforming product
- ii.) replace the product with the same or substantially similar product, or
- iii.) reimburse the buyer for the purchase price of the nonconforming product based on the expected useful life of the product

Wearwell reserves the right to inspect the non-conforming part(s) before repairing, replacing or reimbursing the buyer. Therefore, at the preference of Wearwell LLC, the part must be returned or available for on-site inspection. The product must be installed, used and maintained according to the instructions and procedures provided, or this warranty is void. Any modification of the product will also void this warranty. **THE OBLIGATION UNDER THIS WARRANTY IS LIMITED TO THE REPAIR OR REPLACEMENT OF DEFECTIVE PRODUCTS.**

The decision to void this warranty will be made at the sole discretion of Wearwell. To the maximum extent permitted by law, Wearwell's liability shall not exceed the purchase price of the product. WEARWELL SHALL NOT BE LIABLE FOR ANY INCIDENTAL, CONSEQUENTIAL, SPECIAL, AND/ OR INDIRECT OR PUNITIVE DAMAGES (INCLUDING WITHOUT LIMITATION, DAMAGES FROM LOST BUSINESS, PROFITS OR GOODWILL.)

## EXCLUSIONS

WEARWELL AND ITS AUTHORIZED AGENTS, EMPLOYEES AND REPRESENTATIVES SPECIFICALLY AND EXPRESSLY DISCLAIM ANY AND ALL OTHER WARRANTIES, INCLUDING THE WARRANTY OF FITNESS FOR A PARTICULAR PURPOSE AND/OR ANY WARRANTY OR MERCHANTABILITY WHICH MIGHT OTHERWISE BE APPLICABLE UNDER ANY STATE OR FEDERAL LAW.

This Warranty does not apply to damage as the result of freight, inappropriate use, tampering, improper installation, loss or normal wear and tear.

Any claim under this Warranty must be made in writing within the relevant warranty period. All products returned to Wearwell under this warranty must be prepaid. If it is determined that the product is defective in material and /or workmanship, the repair or replacement will occur, (at Wearwell's option,) at no charge and return freight prepaid by Wearwell. All other returns of product by the owner shall be at the owner's expense.

LIMITED LIABILITY: Wearwell and its authorized agents, distributors and representatives do not guarantee the performance of any Wearwell product in the customers' use without verification of proper use by the customer. Proper use is necessary for the effectiveness of the product, and the safety of those using it. The end user is solely responsible for determining the suitability of any Wearwell product for the intended use. The user assumes all risk and liability for use of any Wearwell product.

User acknowledges receipt of proper instructions regarding the use of the product in the original packaging, and assumes any responsibility to damage to person or property, damages for loss of use, lost time, loss of profit, lost income, loss of the Wearwell product itself, and/ or other incidental or consequential damages other than as warranted by Wearwell's limited warranty. User accepts the responsibility of removing from service any worn out, damaged, unusable, unfit for intended use or defective any product that could be a potential safety hazard.

---

### NORTH AMERICA

Wearwell, LLC. (Headquarters)  
Phone: 615.254.8381 or 800.264.3030  
info@wearwell.com  
www.wearwell.com  
**MEXICO**  
www.wearwell.com/mx  
**CANADA**  
www.wearwell.com/ca

### UK & IRELAND

Wearwell Europe LTD  
Phone: +44 1525 307271  
info@wearwell-europe.co.uk  
www.wearwell.com/uk  
**FRANCE**  
www.wearwell.com/fr

### EUROPE

Wearwell Europe LTD  
europe@wearwell.eu  
www.wearwell.com/uk  
**GERMANY**  
www.wearwell.com/de

# FOUNDATION

by WEARWELL

- Foundation platforms are intended for use indoors on a level, stable solid surface/floor. Do not install on dirt, gravel or other uneven/non-solid surfaces. It is the customer's responsibility to ensure that the surface that Foundation is installed on will support any load that will be placed on it.
- Foundation platforms should be guarded against damage from heavy equipment and vehicles. The customer is responsible for installing appropriate barricades to prevent vehicles from impacting the Foundation Platform System
- The customer is responsible for ensuring that the finished installation of a Foundation platform complies with all state and local codes, safety regulations or other compliance standards.
- Gloves should be worn at all times during assembly and installation to avoid injury.
- Inspect parts for any damage that may have occurred in shipping. Do not use any parts that are damaged.
- Follow all instructions when setting up Foundation platforms. Installation instructions are included in every platform kit
- Modifying the components of a Foundation platform without the consent of an authorized Wearwell representative will void the warranty.
- Each Foundation platform tile has a Standard Uniform Load Rating of 400 lbs. Do not exceed maximum weight capacity.
- Limit Concentrated loads to less than 50psi on the F02 and 75psi on the F01 and F03.
- Carts should only be used on F01 tiles.
- Environmental conditions also affect capacity. The load capacity decreases in extreme temperature conditions. The recommended temperature range is 30-160F.
- Keep the Foundation platform surface clean to reduce the likelihood of slips and falls.
- Foundation platforms greater than 12' in length and/or width should be anchored to the floor using an appropriate fastener for the floor type. Do not allow platforms of this size to "float." See assembly instructions for more details.
- Foundation platforms less than 12' in length and/or width may be installed using the rubber foot accessory available from Wearwell. The rubber foot helps keep the platform from sliding on the floor. But it is the customer's responsibility to determine if the platform should be anchored to the floor using an appropriate fastener for the floor type to prevent the platform from shifting/moving.
- Plastics and metals can be attacked by some chemicals. Always test for chemical compatibility of all components before exposing the platform to chemicals in application.
- Periodically inspect Foundation platforms and replace any damaged components. Remove any build-up of materials and clean away any liquids. Keep clean with a detergent and water solution.
- Make sure all Foundation platform components are properly assembled, anchored and stable before use.
- Make sure all Foundation platform legs are in contact with the floor before use.
- User accepts the responsibility of removing from service any worn out, damaged, unusable, unfit for intended use or defective product that could be a potential safety hazard.
- Foundation platforms are designed for use up to a maximum height of 12". Do not modify the platform to use for greater heights.



**WARNING: FAILURE TO COMPLY WITH OR OBSERVE ALL ASSEMBLY, SAFETY AND OPERATION INSTRUCTIONS AND WARNINGS REGARDING THE USE OF THIS PRODUCT MAY RESULT IN SERIOUS BODILY INJURY.**